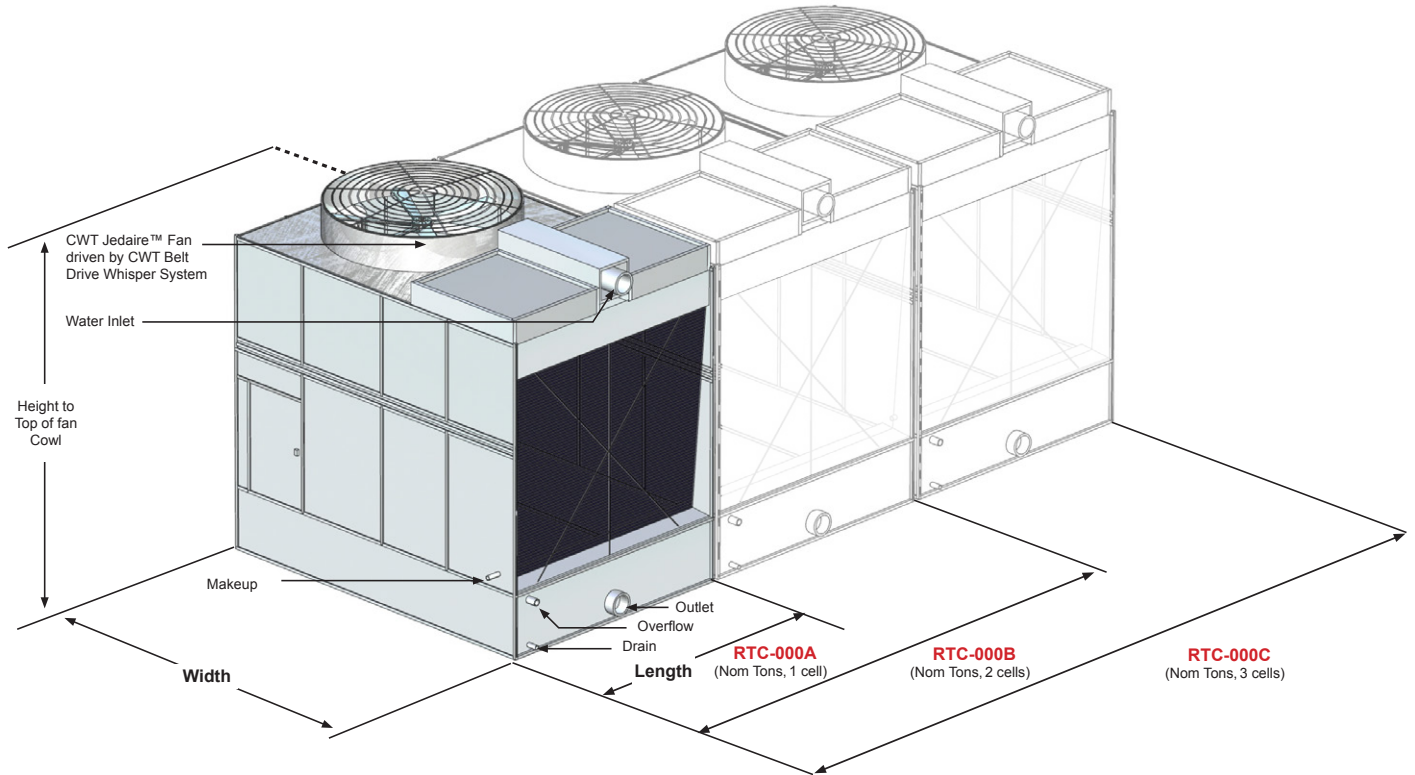
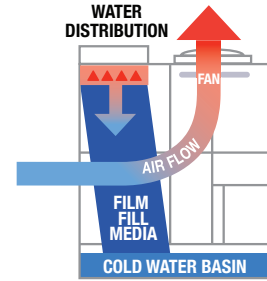


# RTC SERIES

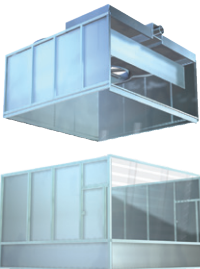
## OPEN CIRCUIT

Axial Fan  
 Induced Draft  
 Crossflow  
 Belt Drive  
 Medium - Large HVAC  
 Capacity 80 - 500 tons per cell

Features:  
 iD Intelligent Control, CoolCore™ Sheet and Block Fill, Jedair Fan System



## FEATURES



### MODULAR DESIGN

The RTC Series is designed in modular sections to minimize weight and size and reduce crane installation costs.

### VERTICAL DESIGN

Air recirculation is minimized by vertical design.

### ALL-SIDE ACCESS

Access to the cold water basin is on all four sides of the tower via quick release louvers panels.

### FRAME CONSTRUCTION

The RTC Series is frame constructed for increased durability and longer service life.

### FIELD AND FACTORY INSTALLED

### ANTI-CLOGGING NOZZLES

Wet deck is equipped with large orifice anti-clogging nozzles.

### STAINLESS STEEL NO-VORTEX SUCTION STRAINER

Standard stainless steel suction strainer is part of the Cool Water Technologies Total Protection Layer to eliminate corrosion and decay.

No-vortex design prevents turbulence and provides smooth water exit.

### HEAVY DUTY CONSTRUCTION

Composite matrix, stainless steel and galvanized options.

### WELDED COLD WATER BASIN

Galvanized or stainless steel.

### 5 YEAR MOTOR AND DRIVE WARRANTY

### COOLCORE™ SHEET AND BLOCK FILL

Offers superior heat transfer and withstands corrosion and biological attack.

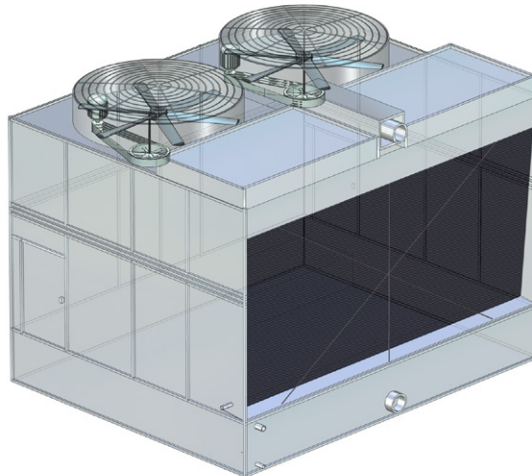
### FACTORY TESTED

In accordance to CTI standards.

Engineering and Temperature Data for RTC Single Cell Towers:

MODEL NUMBER	NOMINAL TONS	OPERATING WEIGHT	SHIPPING WEIGHT	HEAVIEST SECTION	LENGTH	WIDTH	HEIGHT
<b>RTC-128</b>	128	6890	3740	3740	8' 6"	12'	11' 3"
<b>RTC-141</b>	141	7540	3760	3760			
<b>RTC-155</b>	155	7490	3810	3810			
<b>RTC-143</b>	143	8210	4000	4000			12' 7"
<b>RTC-156</b>	156	8230	4020	4020			
<b>RTC-177</b>	177	8290	4080	4080			
<b>RTC-193</b>	193	8310	4100	4100			

<b>RTC-176</b>	176	11030	5150	2570	8' 6"	12'	15' 3"
<b>RTC-200</b>	200	11090	5210	2580			
<b>RTC-220</b>	220	11110	5230	2600			
<b>RTC-188</b>	188	12050	5440	2720			16' 5"
<b>RTC-216</b>	216	12110	5500	2720			
<b>RTC-238</b>	238	12130	5520	2720			
<b>RTC-248</b>	248	12210	5600	2720			



AVAILABLE IN  
12' X 12' CELL  
WITH TWO  
FANS AND MOTORS

<b>RTC-260</b>	260	15140	6550	3340	12'	12'	15' 1"
<b>RTC-286</b>	286	15190	6600	3390			
<b>RTC-308</b>	308	15240	6650	3440			
<b>RTC-324</b>	324	15260	6670	3460			16' 3"
<b>RTC-273</b>	273	16650	6870	3340			
<b>RTC-299</b>	299	16700	6920	3390			
<b>RTC-321</b>	321	16750	6970	3440			
<b>RTC-341</b>	341	16780	7000	3470			
<b>RTC-377</b>	377	17050	7270	3740			